



# Marine Carbon Monoxide Alarm

CMD5-MB (Marine, Battery)  
CMD5-MB-B (Marine, Battery, Black Housing)  
CMD5-MBI (Marine, Battery, Interconnect)  
CMD5-MBI-B (Marine, Battery, Interconnect, Black Housing)  
CMD5-MD (Marine, 12/24 VDC)  
CMD5-MD-B (Marine, 12/24 VDC, Black Housing)  
CMD5-MDI (Marine, 12/24 VDC, Interconnect)  
CMD5-MDI-B (Marine, 12/24 VDC, Interconnect, Black Housing)

Owner's Manual  
&  
Installation Instructions

Tested by ETL to UL STD 2034 Marine

Read and comply with all instructions, warnings and limitations before installing, servicing or removing this device.

Additional copies of this manual are available at no charge by contacting the manufacturer, distributor or dealer. Fireboy-Xintex reserves the right to change features without notice.

General Information	3
Specifications	7
Operation of Xintex Carbon Monoxide Alarm(s)	8
Locating a Xintex Carbon Monoxide Alarm	11
Installation	12
Installing the Mounting Base	12
Connecting Alarm to Mounting Base	13
Power Connections (CMD5-MD, CMD5-MD-B, CMD5-MDI & CMD5-MDI-B)	14
Interconnect Wiring (CMD5-MBI, CMD5-MBI & CMD5-MDI-B)	14
Activating Xintex Carbon Monoxide Alarm (Battery Only Models)	15
Testing	15
Single CO Alarm	15
Interconnected CO Alarms	15
Maintenance	15
In the Event of an Alarm	16
Deactivating Xintex Carbon Monoxide Alarm in End of Life	16
Repairing Xintex Carbon Monoxide Alarms	17
Returning Xintex Carbon Monoxide Alarms	17
1 Year Limited Warranty	18

General Information

**DANGER:**

ACTUATION OF THIS DEVICE INDICATES THE PRESENCE OF CARBON MONOXIDE (CO) WHICH CAN BE FATAL. THE SOURCE OF THE CO MAY BE AN APPLIANCE SUCH AS A FURNACE, A WOOD BURNING STOVE, A VEHICLE, A GENERATOR, OR OTHER COMBUSTION SOURCE. EVACUATE THE PREMISES IMMEDIATELY. CHECK THAT ALL PERSONS ARE ACCOUNTED FOR. CALL THE NEAREST FIRE DEPARTMENT AND ASK THEM TO DETERMINE THE SOURCE OF CARBON MONOXIDE. DO NOT REENTER PREMISES UNTIL IT HAS BEEN AIRED OUT AND THE PROBLEM IS CORRECTED!

**WARNING:**

TO REDUCE THE RISK OF CARBON MONOXIDE POISONING, TEST ALARM OPERATION WHEN NOT IN USE FOR 10 DAYS OR MORE.

THIS CARBON MONOXIDE ALARM IS DESIGNED TO DETECT CARBON MONOXIDE (CO) GAS FROM ANY SOURCE OF COMBUSTION. IT IS NOT DESIGNED TO DETECT SMOKE, FIRE OR ANY OTHER GAS, UNLESS THE PRODUCT HAS BEEN INVESTIGATED AND DETERMINED TO COMPLY WITH THE APPLICABLE REQUIREMENTS.

ANY PERSON WITH MEDICAL PROBLEMS MAY CONSIDER USING WARNING DEVICES THAT PROVIDE AUDIBLE AND VISUAL SIGNALS FOR CARBON MONOXIDE CONCENTRATIONS LESS THAN 30 PPM.

**CAUTION:**

INSTALLATION SHALL BE DONE BY QUALIFIED PERSONNEL AUTHORIZED TO DO SO BY THE AUTHORITIES HAVING JURISDICTION FOR THE PARTICULAR APPLICATION IN WHICH THE PRODUCT IS BEING USED. ELECTRICAL WIRING SHALL BE IN ACCORDANCE WITH APPLICABLE CODES. IMPROPER WIRING MAY RENDER THE UNIT INOPERABLE, DAMAGE COMPONENTS, OR CAUSE A FIRE, AND WILL VOID ALL WARRANTIES.

TO FUNCTION AS INTENDED, THE CO ALARM MUST BE CONNECTED TO A CORRECT POWER SOURCE, AND FOR MAXIMUM EFFECTIVENESS, BE POWERED AT ALL TIMES.

THIS DEVICE SHALL NOT BE INSTALLED OR USED IN AIRCRAFT AND/OR RACING VEHICLES. FIREBOY-XINTEX RESERVES THE RIGHT TO CHANGE FEATURES WITHOUT NOTICE.

THIS ALARM WILL ONLY INDICATE THE PRESENCE OF CARBON MONOXIDE GAS AT THE SENSOR. CARBON MONOXIDE GAS MAY BE PRESENT IN OTHER AREAS.

THERE ARE NO USER OR FIELD SERVICEABLE PARTS IN THIS PRODUCT. THE CO ALARM MUST BE RETURNED TO THE MANUFACTURER FOR ANY REPAIR OR PERFORMANCE CHECKS.

THIS PRODUCT IS NOT INTENDED FOR USE IN ORDINARY OUTDOOR LOCATIONS OF FAMILY LIVING UNITS. IT IS NOT DESIGNED TO COMPLY WITH OCCUPATIONAL SAFETY AND HEALTH ADMINISTRATION (OSHA) COMMERCIAL OR INDUSTRIAL STANDARDS.

### Carbon Monoxide (CO) – “The Silent Killer”

A by-product of combustion, carbon monoxide is invisible, tasteless, odorless, and is produced by all engines, heating and cooking appliances. The most common sources of CO on boats are gasoline engines, auxiliary generators and propane heating or cooking devices. All of these produce large amounts of CO and should never be operated while occupants are sleeping. A slight build-up of carbon monoxide in the human body over several hours causes headaches, nausea and other symptoms similar to food poisoning, motion sickness or the flu. High concentrations can be fatal within minutes. The following symptoms are related to CARBON MONOXIDE POISONING and should be discussed with ALL passengers:

- Mild exposure: Slight headache, nausea, vomiting and fatigue (often described as “Flu like symptoms”).
- Medium exposure: Severe throbbing headache, drowsiness, confusion, and fast heart rate.
- Extreme exposure: Unconsciousness, convulsions, cardio-respiratory failure, and death.
- Many cases of reported CARBON MONOXIDE POISONING indicate that while victims are aware they are not well, they become so disoriented they are unable to save themselves by either exiting the location or calling for assistance. Also, young children and pets may be the first affected. SEE TABLE 1.

Information on conditions which can result in transient CO situations, such as:

- Excessive spillage or reverse venting of fuel burning appliances caused by outdoor ambient conditions, such as:
  - Wind direction and/or velocity, including high gusts of wind. Heavy air in the vent pipes (cold/humid air with extended periods between cycles).
  - Negative pressure differential resulting from the use of exhaust fans.
  - Simultaneous operation of several fuel burning appliances competing for limited internal air.
  - Vent pipe connections vibrating loose from clothes dryers, furnaces or water heaters.
  - Obstructions in or unconventional vent pipe designs which can amplify the above situations.
- Extended operation of un-vented fuel burning devices (range, oven, etc.).
- Temperature inversions that can trap exhaust gases near the ground.

Table 1

200 PPM:	Slight headache within 2 to 3 hours.
400 PPM:	Frontal headache within 1 to 2 hours.
800 PPM:	Dizziness, nausea and convulsions within 45 minutes. Insensible within 2 hours.
1600 PPM:	Headache, dizziness and nausea within 20 minutes. Death within 30 minutes.
3200 PPM:	Headache, dizziness and nausea in 5 to 10 minutes. Death within 30 minutes.
6400 PPM:	Headache and dizziness in 1 to 2 minutes. Death in less than 15 minutes.
12800 PPM:	Death in less than 3 minutes.

Drug or alcohol use increases the effect of CO exposure. Individuals with cardiac or respiratory conditions are very susceptible to the dangers of carbon monoxide. CO poisoning is especially dangerous during sleep when victims are unaware of any side effects. The following are symptoms that may signal exposure to CO:

- Headache
- Tightness of chest or hyperventilation
- Flushed face
- Nausea
- Drowsiness
- Fatigue or Weakness
- Inattention or Confusion
- Lack of normal coordination

Persons who have been exposed to carbon monoxide should be moved into fresh air immediately. Persons who have been subjected to high concentrations of CO should be placed in the care of a physician. To learn more about CO poisoning, contact your local health authorities.

#### Where Must We Guard Against Carbon Monoxide?

Carbon monoxide is a by-product of combustion. CO exists wherever fuels are burned to generate power or heat. Boats may utilize propane or compressed gas for cooking and/or heating. Boats have the added hazard of an auxiliary power generator where exhaust fumes may drift into the vessel. This hazard may also be created by a neighboring boat's exhaust fumes circulating into the cabin. The "station wagon effect", is another hazard that is caused by exhaust fumes that are captured via a rear opening while underway.

#### Boat Hazards

Boats that are underway should close all aft portholes and open a forward hatch, which may lend to pressurize the living spaces within the boat. As in RV's, no sleeping, particularly in aft cabins, should be permitted while underway. Occupants of the "bridge" should also maintain proper ventilation by opening a forward window or windshield to drive "station wagon" effect fumes away from the occupants. Extreme caution must be taken while at anchor or in a slip while an auxiliary power generator is operating. Wind still nights can easily allow fumes to enter the boat. Inspect the exhaust systems of propulsion and auxiliary generators frequently for possible leaks. High concentrations of CO in your boat may originate from an adjacent boat. Exhaust fumes from nearby boats may enter your boat through open hatches or windows.

#### Features of the CMD5-MB, CMD5-MB-B, CMD5-MD & CMD5-MD-B

The CO Alarm is designed to meet applicable marine standards. The CO Alarm is tested by ETL to meet UL 2034 Marine requirements.

The CO Alarm conducts a self-diagnosis of critical components every 180 seconds. Should a major component fail, the CO Alarm will enter a fault mode. Both audible and visual warning indicators are activated.

The CO Alarm circuit board is sealed against moisture and corrosion to withstand the harshest environments and ensure durability.

#### Features of the CMD5-MBI, CMD5-MDI, CMD5-MBI-B & CMD5-MDI-B

The CMD5-MBI, CMD5-MDI, CMD5-MBI-B & CMD5-MDI-B are designed to interconnect with other matching CMD5-MBI, CMD5-MDI, CMD5-MBI-B & CMD5-MDI-B units. If the unit senses CO at an alarm level, it will communicate with other interconnected units and send them into alarm. The unit that senses CO will have a distinct LED pattern compared to the interconnected units. The CMD5-MBI, CMD5-MDI, CMD5-MBI-B & CMD5-MDI-B are designed to connect to a maximum of ten interconnected units.

#### Limitations

- This carbon monoxide alarm is designed to detect carbon monoxide gas from ANY source of combustion. It is NOT designed to detect smoke, fire or any other gas.
- The CO Alarm will not detect carbon monoxide that is not in the vicinity of the alarm. Carbon monoxide in other rooms or areas will not be detected. Alarms mounted near obstructions or in 'dead' air spaces will not detect carbon monoxide.
- The CO Alarm does not guarantee or imply that CO poisoning will not occur. Do NOT use the CO Alarm as a replacement for ordinary precautions or periodic inspections of equipment. NEVER rely on alarm systems to save your life, common sense is still prudent and necessary.
- The audible horn on the CO Alarm meets UL STD 2034 Marine requirements; however, the horn may not be heard in remote areas.
- The nature of an alarm system is to produce an irritating and loud noise. The audible signal of the CO Alarm may shock or startle persons near the alarm. Hearing damage can occur if prolonged exposure to the audible alarm is allowed.
- All electric devices have limited life spans and may fail without warning. Inspect the CO Alarm on a periodic basis. Do NOT assume that the CO Alarm will prevent CO poisoning. It is a supplement-warning device only.

## Specifications

### System Specifications (CMD5-MB & CMD5-MB-B)

Operating/Storage Temperature: -22°F (-30°C) to 158°F (70°C)

Alarm Points: Time Weighted Average (TWA)

Alarm @ 10% COHb (<15min @ 400 PPM)

Alarm Horn: ≈ 85dB @3.05M

Dimensions: 3.5" (89mm) x 3.5" (89mm) x 1.25" (32mm)

Housing Material: Polylac PA-765(ABS-FR)

### System Specifications (CMD5-MBI & CMD5-MBI-B)

Operating/Storage Temperature: -22°F (-30°C) to 158°F (70°C)

Alarm Points: Time Weighted Average (TWA)

Alarm @ 10% COHb (<15min @ 400 PPM)

Alarm Horn: ≈ 85dB @3.05M

Dimensions: 3.5" (89mm) x 3.5" (89mm) x 1.25" (32mm)

Housing Material: Polylac PA-765(ABS-FR)

### System Specifications (CMD5-MD & CMD5-MD-B)

Operating Voltage: 9-32 VDC

Nominal Current Draw -22°F (-30°C) to 158°F (70°C): 4mA

Maximum Current Draw -22°F (-30°C) to 158°F (70°C): 45mA

Operating/Storage Temperature: -22°F (-30°C) to 158°F (70°C)

Alarm Points: Time Weighted Average (TWA)

Alarm @ 10% COHb (<15min @ 400 PPM)

Alarm Horn: ≈ 85dB @3.05M

Dimensions: 3.5" (89mm) x 3.5" (89mm) x 1.25" (32mm)

Housing Material: Polylac PA-765(ABS-FR)

### System Specifications (CMD5-MDI & CMD5-MDI-B)

Operating Voltage: 9-32 VDC

Nominal Current Draw -22°F (-30°C) to 158°F (70°C): 4mA

Maximum Current Draw -22°F (-30°C) to 158°F (70°C): 45mA

Operating/Storage Temperature: -22°F (-30°C) to 158°F (70°C)

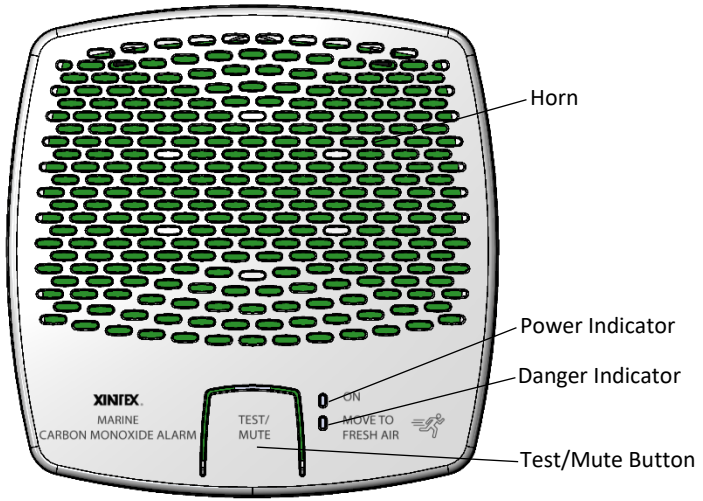
Alarm Points: Time Weighted Average (TWA)

Alarm @ 10% COHb (<15min @ 400 PPM)

Alarm Horn: ≈ 85dB @3.05M

Dimensions: 3.5" (89mm) x 3.5" (89mm) x 1.25" (32mm)

Housing Material: Polylac PA-765(ABS-FR)



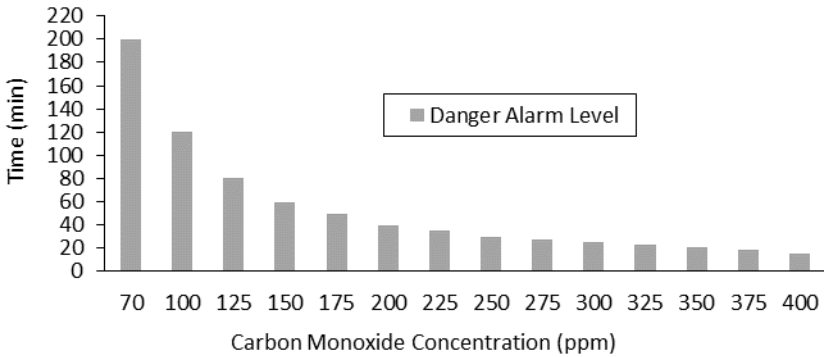
The CO Alarm uses a microprocessor to measure and accumulate CO levels. Using the principle of “time-weighted averaging” (TWA), the CO Alarm monitors CO concentrations, temperature, and time to calculate levels of carboxyhemoglobin (COHb). COHb is the degree to which the oxygen carrying capacity of the blood is impeded by the union of carbon monoxide to the hemoglobin and is expressed as a percentage. In layman’s terms, our bodies prefer absorbing CO to oxygen and COHb is the ratio of absorbed carbon monoxide to oxygen in the bloodstream. The CO Alarm calculates this COHb level as a function of time and determines the appropriate alarm time. SEE TABLE 2.

Should a very high level of carbon monoxide exist, the CO Alarm will alarm in a few minutes. However, if small quantities of CO are present or high levels are short-lived, the micro controller will accumulate the information and determine when an alarm level has been reached. This feature eliminates nuisance alarms. For example, in a boat it is possible to see high levels of CO for a very short time such as when docking or maneuvering. The CO Alarm takes this all under consideration by totaling the quantity of CO detected over a period of time.

The CO Alarm is programmed to alarm at a COHb level of 10%. SEE TABLE 2.



Table 2



Status Indicators and Explanations

SYSTEM STATUS	Green LED INDICATOR	Red LED INDICATOR	AUDIBLE HORN
Normal:	1 Flash/180 sec.	Off	Off
Alarm:	Off	1 Flash/5 sec.	4 Beeps, 5 sec. Silence
Remote Alarm:	1 Flash/5 sec.	1 Flash/5 sec.	4 Beeps, 5 sec. Silence
End of Life	Off	1 Flash/5 sec.	1 Beep/60 sec.

**CAUTION:**

THE AUDIBLE ALARM CANNOT BE CHECKED BY THE INTERNAL CIRCUITRY AND THEREFORE THE CO ALARM SHOULD BE TESTED FREQUENTLY USING THE TEST BUTTON AND VERIFYING PROPER ALARM SEQUENCES AND OPERATION.

## Operation of Xintex Carbon Monoxide Alarm(s) Continued

### Normal

The Green LED will flash once every 180 seconds (3 minutes) while in normal operation.

### Alarm

When the CO Alarm enters the danger alarm, the Danger (!) indicator is flashing red and the horn beeps 4 times and pauses for 4-5 seconds in a repeat pattern. This indicates that the COHB level has been reached.

### **WARNING:**

ACTUATION OF YOUR CO ALARM INDICATES THE PRESENCE OF CARBON MONOXIDE (CO), WHICH CAN KILL YOU. IF ALARM SOUNDS:

IF UNIT ALARMS FOLLOW THE GUIDELINES BELOW:

1. OPERATE RESET/SILENCE BUTTON
2. CALL YOUR EMERGENCY SERVICES (FIRE DEPARTMENT OR 911).
3. IMMEDIATELY MOVE TO FRESH AIR – OUTDOORS OR BY AN OPEN DOOR/WINDOW. CHECK THAT ALL PERSONS ARE PRESENT. DO NOT RE-ENTER THE PREMISES OR MOVE AWAY FROM THE OPEN DOOR/WINDOW UNTIL EMERGENCY SERVICES RESPONDERS HAVE ARRIVED, THE PREMISES HAVE BEEN AIRED OUT AND ALARM REMAINS IN ITS NORMAL CONDITION.
4. AFTER FOLLOWING STEPS 1-3, IF ALARM REACTIVATES WITHIN A 24-HOUR PERIOD, REPEAT STEPS 1-3 AND CALL A QUALIFIED APPLIANCE TECHNICIAN TO INVESTIGATE FOR SOURCES OF CO FROM FUEL BURNING EQUIPMENT AND APPLIANCES, AND INSPECT FOR PROPER OPERATION OF THE EQUIPMENT. IF PROBLEMS ARE IDENTIFIED DURING THIS INSPECTION, HAVE THE EQUIPMENT SERVICED IMMEDIATELY. NOTE ANY COMBUSTION EQUIPMENT NOT INSPECTED BY THE TECHNICIAN AND CONSULT THE MANUFACTURERS' INSTRUCTIONS, OR CONTACT THE MANUFACTURERS DIRECTLY, FOR MORE INFORMATION ABOUT CO SAFETY AND THIS EQUIPMENT.

### **NOTE:**

THE CO ALARM WILL ALARM AT APPROXIMATELY 10% COHB. SEE TABLE 2. THE ALARM WILL CLEAR WHEN THE PPM OF CO PRESENT ARE BELOW 40.

### Remote Alarm

This indicates that another CO alarm that is interconnected is going into alarm. If the unit in remote alarm detects a high enough level of CO to alarm then it will change from remote alarm to alarm in its signaling pattern. A remote alarm should be treated the same as a CO alarm.

### End-of-Life (EOL)

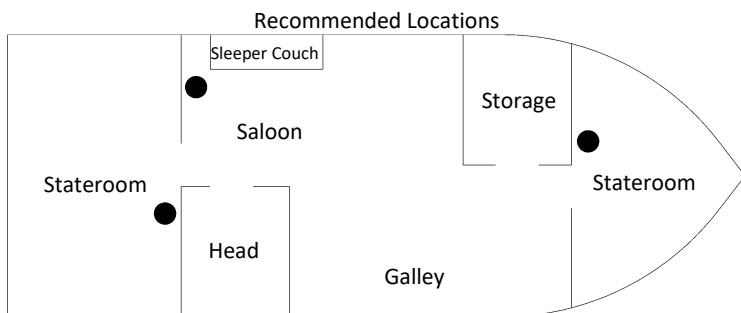
Self-diagnostics to determine end of useful sensor life, 7 years.

**NOTE:**

DURING EOL RESET THE UNIT WILL GO THROUGH A SELF-DIAGNOSTIC PROCESS FOLLOWED BY THE TEST SEQUENCE.

**Locating a Xintex Carbon Monoxide Alarm**

Because of the high risk of carbon monoxide injuries due to the nature of boats, it is recommend a carbon monoxide alarm be installed in the main cabin and in each sleeping area (ABYC A-24.7.2) of the enclosed accommodation compartment (ABYC A-24-4-5). Small craft with an open design may only require one CO Alarm for adequate protection. If any two sleeping areas are partitioned, then one CO Alarm should be installed in each sleeping area. Larger craft often have aft and forward cabins with convertible sofas in the saloon. These boats will require three CO Alarm monitors. Installation should be at eye level height for convenient monitoring and service. Ordinary thermostat height is adequate. Ceiling installation is also allowed.



**DO NOT** install a CO Alarm near a hatch or porthole through which water could be spilled on the device.

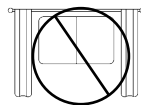
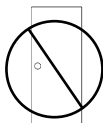
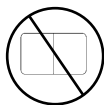
**DO NOT** install in locations where temperature, moisture, and/or ultraviolet light affect the operation.

**DO NOT** install in locations where the normal ambient temperature is below  $-30^{\circ}\text{C}$  ( $-22^{\circ}\text{F}$ ) or exceeds  $70^{\circ}\text{C}$  ( $158^{\circ}\text{F}$ ).

**DO NOT** mount within 1 foot (0.3 m) of corners, a door, or other 'dead' air spaces.

**DO NOT** locate CO Alarm within 5 feet (1.5 m) of any cooking appliance or in direct airflow from air conditioning or heat vents.

**DO NOT** locate CO Alarm in close vicinity of curtains, pillows, or other obstructions.



**NOTE:**

**ABYC A-24.7.2:** DETECTORS SHALL BE LOCATED TO MONITOR THE ATMOSPHERE IN THE MAIN CABIN AND EACH SLEEPING AREA.

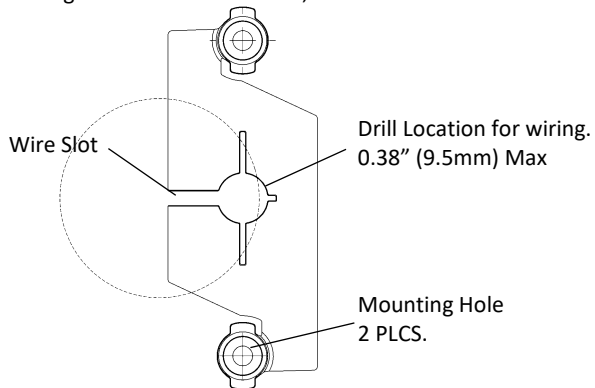
**ABYC A-24.4.5:** ENCLOSED ACCOMODATION COMPARTMENT - ONE CONTIGIOUS SPACE, SURROUNDED BY PERMANENT STRUCTURE THAT CONTAINS ALL OF THE FOLLOWING:

- DESIGNATED SLEEPING ACCOMODATIONS
- GALLEY AREA WITH SINK
- HEAD COMPARTMENT

Installation

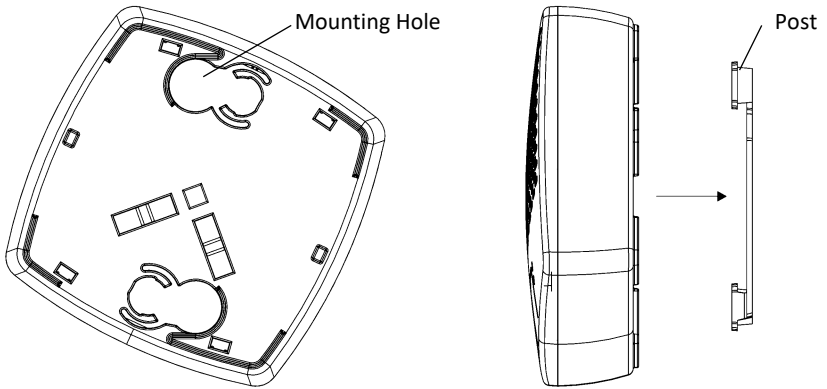
Installing the Mounting Base

- Mounting Base should be installed vertically when installing CO Alarm on a wall.
- Use appropriate length #6, Pan Head screws to secure Mounting Base.
- Do not over-tighten.
- Drill appropriate size hole (0.38" (9.5mm) Max) for wired models to accommodate the wires. If using a connector on the wires, a larger hole may be needed. Offset the hole to the side of the Mounting Base with the wire slot, as shown.

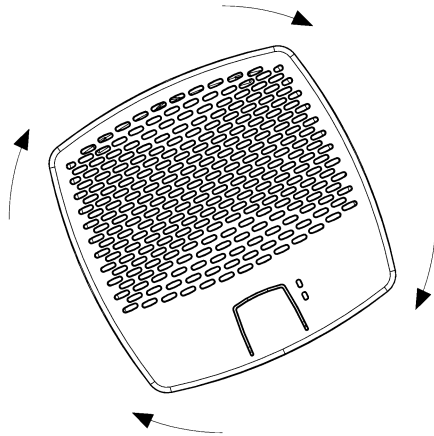


### Connecting Alarm to Mounting Base

- Align Mounting holes of CO Alarm with the posts on the Mounting Base.



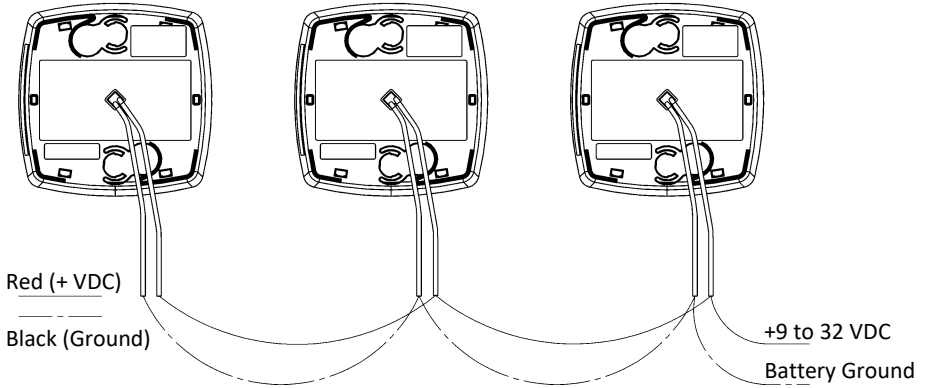
- Feed wires through the Mounting Base and mounting surface.
- Press CO Alarm against mounting surface and turn clockwise, approximately 25°.



After installation is complete, attach one of the enclosed “Warning” stickers to the wall next to the alarm. Place the other sticker near a source of fresh air where you would gather after an alarm indicates the presence of carbon monoxide. The phone numbers of emergency services and qualified technicians should be added to the stickers.

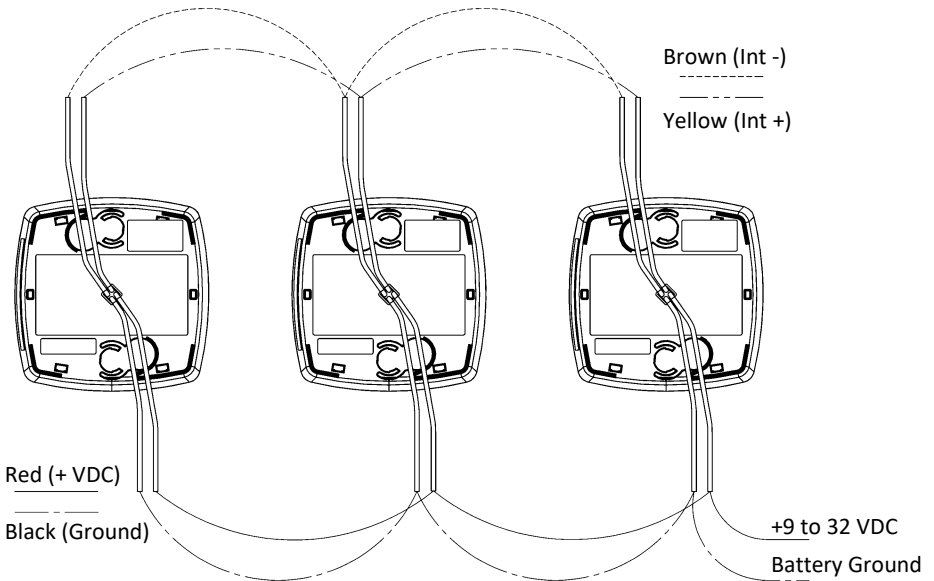
Power Connections (CMD5-MD, CMD5-MD-B, CMD5-MDI & CMD5-MDI-B)

Red and Black 18 GA wires are provided for connecting to the power source. Connect the Red wire to Power (+). Connect the Black wire to Ground (-).



Interconnect Wiring (CMD5-MBI, CMD5-MBI & CMD5-MDI-B)

Brown and Yellow 18 GA wires are provided for interconnecting CO Alarms. Connect the Brown wires and Yellow wires of up to 10 units to each other.



#### NOTE:

PROTECTIVE COVER PROVIDED WITH THE ALARM IS INTENDED TO KEEP ALARM PROTECTED FROM LIQUID SPRAYS THAT MAY BE USED DURING THE INITIAL INSTALLATION PROCESS. REMOVE PROTECTIVE COVER BEFORE ACTIVATING.

#### Activating Xintex Carbon Monoxide Alarm (Battery Only Models)

1. Hold "Test/Mute" button for 10 seconds. The Green LED will turn on.
2. Press the "Test/Mute" button 5 times. The Green and Red LEDs will flash and the horn will sound.

The CO Alarm is now activated. The Green LED will flash once every 180 seconds.

#### Testing

Test the CO Alarms no less than once per week.

#### Single CO Alarm

Press "Test/Mute" button until Green LED turns on and release. The alarm will simulate 2 alarm cycles (2 sets of 4 Beeps, 5 sec. Silence between). The Red LED will flash once every 5 seconds.

#### Interconnected CO Alarms

Press and hold the "Test/Mute" button for 60 seconds (1 minute). The Red LED will flash once every 5 seconds on the CO Alarm used to test. The Red and Green LED will flash once every 5 seconds on the interconnected CO Alarms. All interconnected CO Alarms will alarm within 1 minute.

#### Maintenance

Spaces are to be well ventilated when household cleaning supplies or similar contaminants are used. Avoid spraying liquids directly on alarm.

## In the Event of an Alarm

1. Operate reset/silence button
2. Call your emergency services (fire department or 911).
3. Immediately move to fresh air – outdoors or by an open door/window. Check that all persons are present. Do not re-enter the premises or move away from the open door/window until emergency services responders have arrived, the premises have been aired out and alarm remains in its normal condition.
4. After following steps 1-3, if your alarm reactivates within a 24-hour period, repeat steps 1-3 and call a qualified appliance technician to investigate for sources of CO from fuel burning equipment and appliances, and inspect for proper operation of the equipment. If problems are identified during this inspection, have the equipment serviced immediately. Note any combustion equipment not inspected by the technician and consult the manufactures' instructions, or contact the manufacturers directly, for more information about CO safety and their equipment.

### Nuisance Alarms

Although the CO Alarm will detect only carbon monoxide in a normal environment, studies have found that unusually high concentrations of chemicals and/or vapors may affect the sensor. Many of these chemicals are the result of out-gassing in new boats. While these chemicals may cause nuisance alarms, levels high enough to create an alarm condition are also hazardous. Treat these “nuisance” alarms as an actual carbon monoxide alarm condition. Evacuate and ventilate the area. Before, during, and immediately after working with any chemicals, make sure enough fresh air ventilation is available.

## Deactivating Xintex Carbon Monoxide Alarm in End of Life

1. Hold “Test/Mute” button for 60 seconds. The Green and Red LEDs will turn on.
2. Press the “Test/Mute” button 5 times. The Green and Red LEDs will flash and the horn will sound.

The CO Alarm is now deactivated.

### **NOTE:**

DEACTIVATION IS NOT POSSIBLE DURING NORMAL OPERATION OR DURING AN ALARM.

### **CAUTION:**

DEACTIVATING CO ALARM IS PERMANENT. REACTIVATING IS NOT POSSIBLE.



### Repairing Xintex Carbon Monoxide Alarms

Xintex Carbon Monoxide Alarms are not field serviceable. Components must be returned to the factory for any repairs.

### Returning Xintex Carbon Monoxide Alarms

No product may be returned for credit or repair without a written "Returned Material Authorization" (RMA) form. Purchaser must call or email Fireboy-Xintex 616-735-9380 or [fireboy@fireboy-xintex.com](mailto:fireboy@fireboy-xintex.com) for a RMA. If due to extenuating circumstances a product is to be returned, after approval it must be received in 100% new/resalable condition. Products stored by the buyer for more than 26 weeks may not be returned for any reason. Maintaining fresh and current inventory is the responsibility of the buyer.

## 1 Year Limited Warranty

This Warranty is in lieu of all other expressed or implied Warranties

Seller warrants title, materials, and workmanship on equipment, except components manufactured by others for which the Seller assigns, as permitted, the original manufacturer's warranty. Seller's warranty shall be for a period of (1) one year from the date of sale to the ORIGINAL CONSUMER PURCHASER, during which non-conforming equipment returned to the Seller at Buyer's expense and risk, be repaired or replaced at the Seller's option. Fireboy-Xintex LLC will repair or replace products found to be defective in materials or workmanship within the period set forth above, provided that: (a) the product has not been subjected to abuse, contamination, neglect, accident, incorrect wiring not our own, improper installation or servicing, or used in violation of instructions furnished by Fireboy-Xintex LLC and (b) as to any prior defects in materials or workmanship covered by this warranty, the product has not been repaired or altered by anyone except Fireboy-Xintex LLC and (c) the serial number has not been removed, defaced or otherwise changed, and (d) examination discloses, in the judgment of Fireboy-Xintex LLC, does not assume the costs of removal and/or installation of the product or any other incidental costs of removal and/or installation of the product or any other incidental costs which may arise as a result of any defect in material or workmanship, and (e) upon discovery of defect, Buyer shall immediately cease use of and notify Fireboy-Xintex LLC.

Any warranty implied by law, including warranties of merchantability or fitness, is in effect only for the duration of the expressed warranties set forth above, no person is authorized to give any other warranty, or to assume for Fireboy-Xintex LLC any other liability in connection with the sale of its products; Fireboy-Xintex LLC shall not be liable for the loss of use, revenue, or profit or for any injury, or for any other consequential or incidental damages, buyer is not relying on seller's judgment regarding his or her particular requirements, and has had an opportunity to inspect the product to his or her satisfaction.

This warranty gives you specific legal rights, and you may also have other rights, which vary, from state to state.

[www.fireboy-xintex.com](http://www.fireboy-xintex.com)

Fireboy-Xintex LLC  
O-379 Lake Michigan Dr. NW  
Grand Rapids, MI 49534  
[fireboy@fireboy-xintex.com](mailto:fireboy@fireboy-xintex.com)  
Phone (616) 735 9380

Fireboy-Xintex UK Operations Limited  
10 Holton Road, Holton Heath Trading Park  
Poole Dorset BH16 6LT UK  
[fireboyeu@fireboy-xintex.com](mailto:fireboyeu@fireboy-xintex.com)  
Phone 44 (0) 845 9462